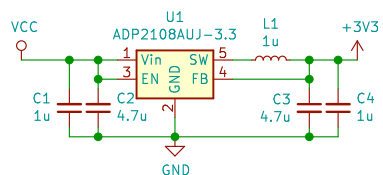
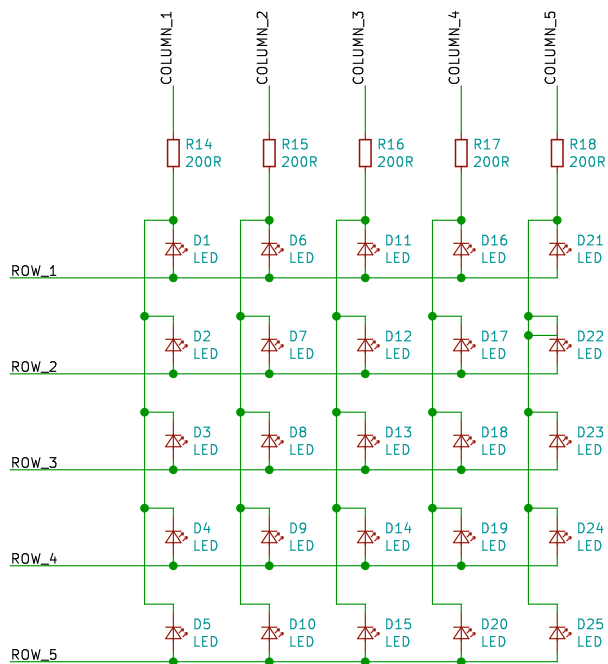


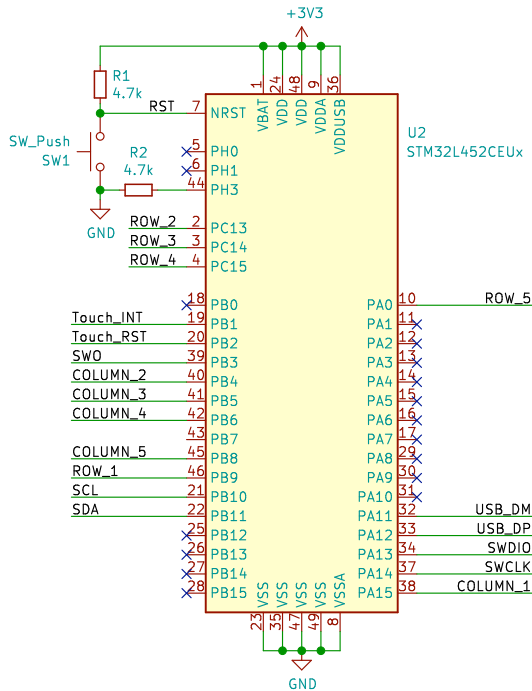
**USB Port (Power + Data)**



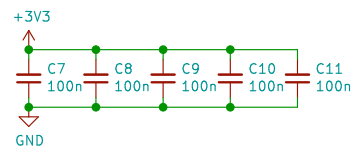
**3V3 Power Regulator (600mA max)**



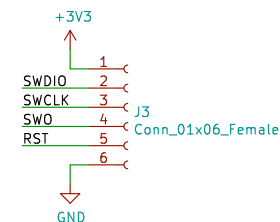
**LED Matrix (5x5)**



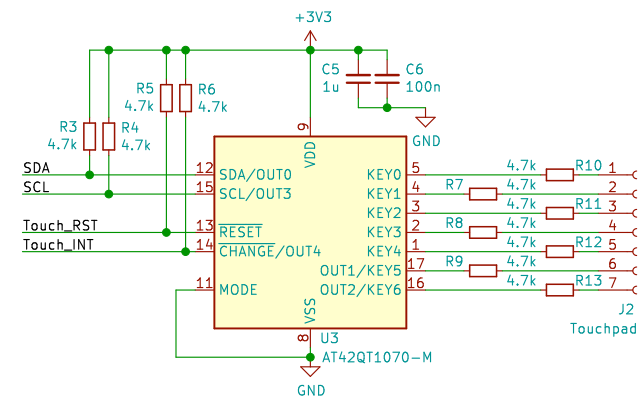
**STM32L452 (48 QFN)**



**Decoupling for STM32**



**SWD Header**



**AT42QT1070 Touchpad (I2C Address: 0x1B)**

**Niklas Cölte**

Sheet: /  
File: Thingy\_2.sch

**Title: Thingy**

Size: A4 Date: 2020-04-17  
KiCad E.D.A. eeschema (5.1.5-0-10\_14)

**Rev: 0.1**  
Id: 1/1